



We make things MOVE

End of Arm Tooling - Collaborative Robot Vacuum Tool

The **NEW** Collaborative Robot Vacuum Tool from Bimba I Vaccon adds unparalleled flexibility to your collaborative robot. The standard CRVT is highly configurable to meet your application needs, but simple to install and operate. This fully integrated tool means all you need to supply is compressed air and a signal to control the valve and you are ready to start programming.

A variety of standard and custom options are available making the Bimba I Vaccon CRVT the perfect tool for your next collaborative robot project. Take advantage of this unique tool that will seamlessly provide you with the ability to pick up almost anything.

Features and Benefits

- > Plug and play operation: Just simply add air
 - Adjustable vacuum switch for part detection
 - Preinstalled muffler for quiet operation
 - Integrated valve simplifies installation
 - Mounting hardware included
- > Stocked configurations:
 - CRVTU-150M-80-P-#### for semi-porous applications
 - CRVTU-100H-80-P-#### for non-porous applications
- > Standard vacuum ports:
 - (1) 1/4" NPT female
 - (4) 1/8" NPT female
- > Consult factory for assistance choosing the correct vacuum characteristics for your applications

Performance Characteristics

Air Consumption (SCFM [SLPM])			
	L	M	H
	10" Hg [339 bar]	20" Hg [677 bar]	28" Hg [948 bar]
060	N/A	0.5 [14.2]	0.8 [22.6]
090	0.5 [14.2]	1.4 [39.6]	1.8 [51.0]
100	1.4 [39.6]	1.8 [51.0]	2.8 [79.3]
150	1.8 [51.0]	2.8 [79.3]	4.8 [135.9]

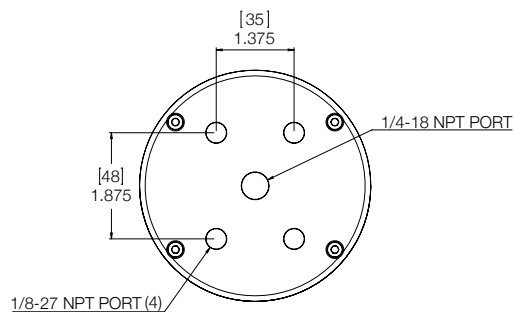
Approximate Time to Reach Full Vacuum (Seconds) ⁵			
	L	M	H
	10" Hg [339 mbar]	20" Hg [677 mbar]	28" Hg [948 mbar]
060	N/A	1.2	4.2
090	0.2	0.6	1.5
100	0.1	0.3	1.3
150	0.1	0.3	0.7

Maximum Recommended Load (lb [kg]) ¹			
	L	M	H
	10" Hg [339 mbar]	20" Hg [677 mbar]	28" Hg [948 mbar]
1DSB	3.9 [1.8]	7.9 [3.6] ²	11.0 [5.0] ³
4DSB	5.5 [2.5] ²	10.9 [4.9] ³	15.3 [6.9] ³
1SFL	8.5 [3.9] ²	17.1 [7.8] ³	23.9 [10.8] ⁴
4SFL	4.8 [2.2] ²	9.5 [4.3] ³	13.3 [6.0] ³

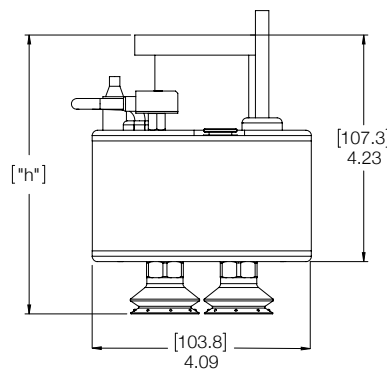
Notes:

- 4X factor of safety applied
- Exceeds load capacity of UR 3
- Exceeds load capacity of UR 5
- Exceeds load capacity of UR 10
- Actual time will vary based on cup selection, leakage and part shape
- Average performance data shown. All data is for reference only. Please contact factory for assistance with your application.

Vacuum Port Layout



Dimensional Drawing



	Height "h" [mm]	Weight lb [kg]
0000	4.23 [107.3]	1.9 [0.86]
1DSB	5.67 [144.1]	2.0 [0.91]
4DSB	5.20 [132.0]	2.1 [0.95]
1SFL	5.78 [146.8]	2.1 [0.95]
4SFL	4.92 [125.0]	2.0 [0.91]

Ordering Information

CRVTU-150H-80-P-4DSB

Series	Robot	Max. Flow Level	Max. Vacuum Level	Operating Pressure	Switch/Sensor	Cup Configuration
CRVT	U Universal Robots	060* Low 090 Moderate Low 100 Moderate High 150 High	L 10" Hg [339 mbar] M 20" Hg [677 mbar] H 28" Hg [948 mbar]	60 60 PSI [4.0 bar] 80 80 PSI [5.5 bar]	P Switch - PNP S Sensor - 1-5V DC Outlet	0000 No Cups 1DSB Single Cup - Dual Durometer Polyurethane, Single Bellows, VCD-B50P-1 4DSB Quad Cup, Dual Durometer Polyurethane, Single Bellows, VCD-B30P-1 1SFL Single Cup, Silicone, Flat, VCC-F-295-S 4SFL Quad Cup, Silicone, Flat, VCR-F25P-S

*Not available in option "L" Vacuum Level

CRVTU-150M-80-P-#### recommended for semi-porous applications
 CRVTU-100H-80-P-#### recommended for non-porous applications
 Consult factory for assistance choosing the correct vacuum characteristics for your application



Bimba

25150 S. Governors Hwy
University Park, IL 60484

Tel: +1 800 44 BIMBA
Fax: +1 708 235 2014

Email: cs@imi-precision.com
Website: www.bimba.com

Due to our policy of continuous development, Bimba reserve the right to change specifications without prior notice.

IMI Precision Engineering operates four global centres of technical excellence and a sales and service network in 75 countries, as well as manufacturing capability in the USA, Germany, China, UK, Switzerland, Czech Republic, Mexico and Brazil.

For information on all IMI Precision Engineering companies visit www.imi-precision.com

Supported by distributors worldwide.